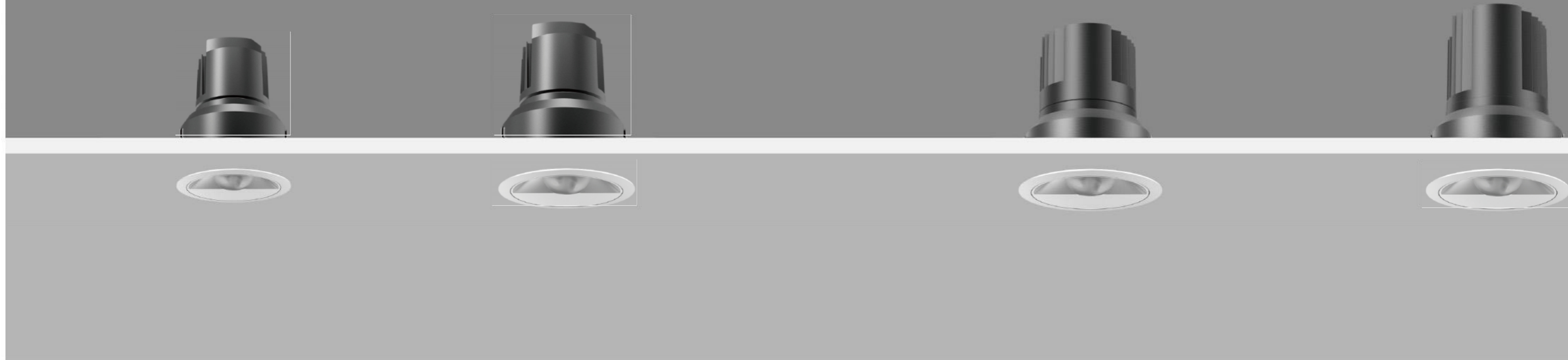
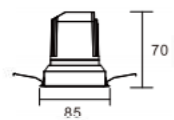


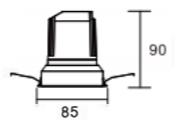
- Outstanding color rendition effect, meet the lighting demand of upscale places. 2700K/3000K/4000K, Ra>90
- Die-casting aluminium heat sink, conducts the heat from the chip effectively, and ensure the lamp performance and long lifespan.



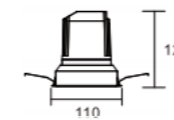
LUD-CL36-3W-R2S
Power: 5W/8W
Cutout: 75mm
Height: 70mm



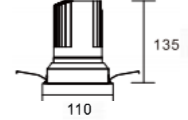
LUD-CL36-3W-R2S
Power: 10W/12W
Cutout: 75mm
Height: 90mm





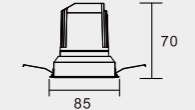
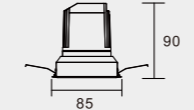
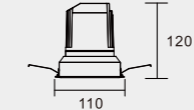
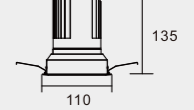


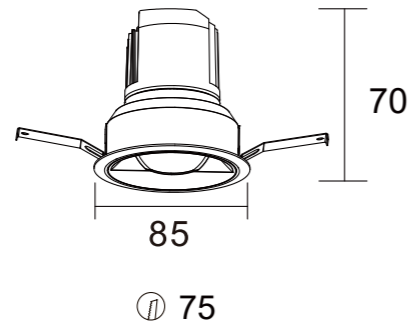
LUD-CL36-4W-R2S
Power: 20W
Cutout: 100mm
Height: 120mm



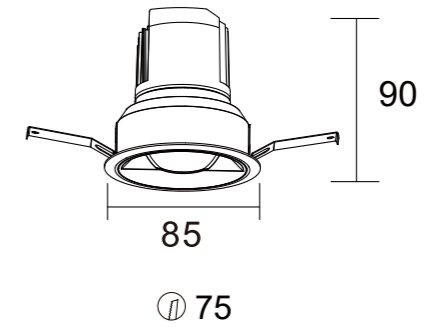
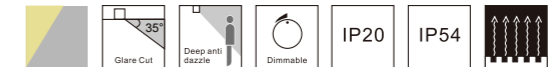
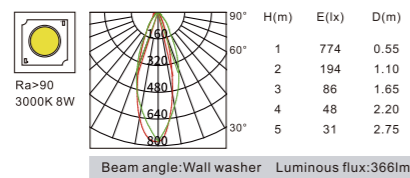
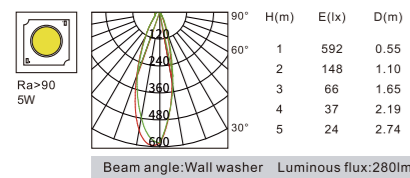
LUD-CL36-4W-R2S
Power: 25W/30W
Cutout: 100mm
Height: 135mm



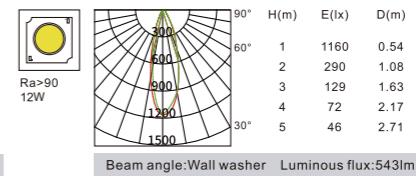
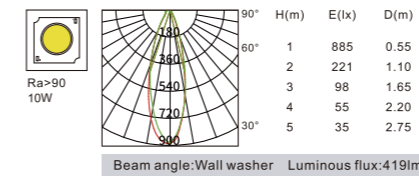
| Model | LUD-CL36-3W-R2S | LUD-CL36-3W-R2S | LUD-CL36-4W-R2S | LUD-CL36-4W-R2S |
|---------------|---|---|---|---|
| Product Photo |  |  |  |  |
| Dimension(mm) |  |  |  |  |
| Cutout(mm) | 75 | 75 | 100 | 100 |
| Wattage | 5W/8W | 10W/12W | 20W/25W | 30W |
| CCT | 2700K/3000K/4000K | 2700K/3000K/4000K | 2700K/3000K/3500K/4000K | 2700K/3000K/3500K/4000K |
| CRI | >90 | >90 | >90 | >90 |
| Beam Angle | Wall Washer | Wall Washer | Wall Washer | Wall Washer |
| Lumen | 280-360LM | 420-540LM | 1100-1200LM | 1330LM |
| IP | IP20/IP54 | IP20/IP54 | IP20/IP65 | IP20/IP65 |
| Dimming | TRIAC/1-10V/DALI | TRIAC/1-10V/DALI | TRIAC/1-10V/DALI | TRIAC/1-10V/DALI |
| Colour | White+Iron gray | White+Iron gray | White+Iron gray | White+Iron gray |

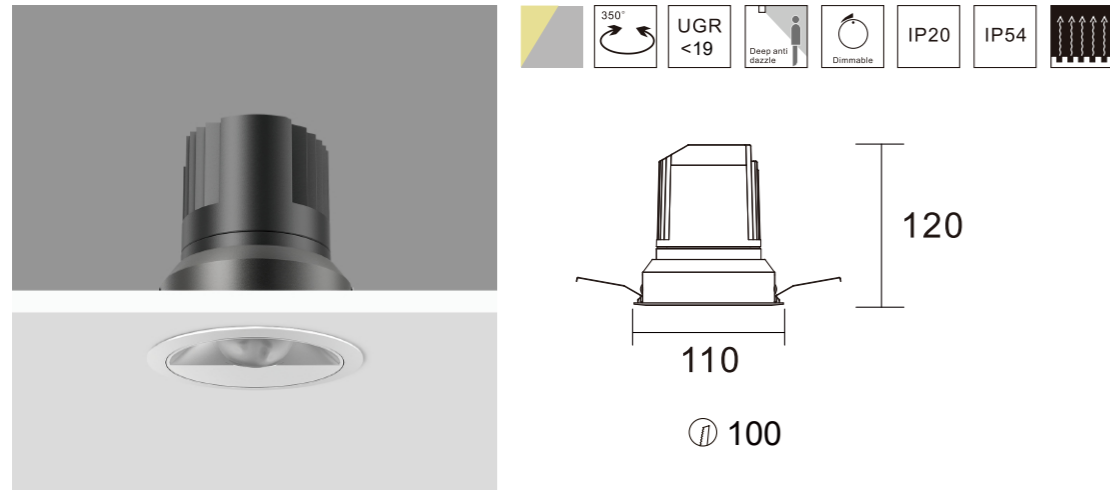


| Model | Power | LED voltage | LED Current | CRI | CCT | Beam Angle | LED Output | System output | Dimming Type |
|-----------------|-------|-------------|-------------|-----|-------|-------------|------------|---------------|-------------------------|
| L-CL36-305W-R2S | 5W | 36V | 120mA | 90 | 2700K | Wall Washer | 445lm | 269lm | ON-OFF TRIAC 1-10V DALI |
| | 5W | 36V | 120mA | 90 | 3000K | Wall Washer | 462lm | 280lm | ON-OFF TRIAC 1-10V DALI |
| | 5W | 36V | 120mA | 90 | 4000K | Wall Washer | 484lm | 293lm | ON-OFF TRIAC 1-10V DALI |
| L-CL36-308W-R2S | 8W | 36V | 200mA | 90 | 2700K | Wall Washer | 741lm | 352lm | ON-OFF TRIAC 1-10V DALI |
| | 8W | 36V | 200mA | 90 | 3000K | Wall Washer | 770lm | 366lm | ON-OFF TRIAC 1-10V DALI |
| | 8W | 36V | 200mA | 90 | 4000K | Wall Washer | 806lm | 383lm | ON-OFF TRIAC 1-10V DALI |

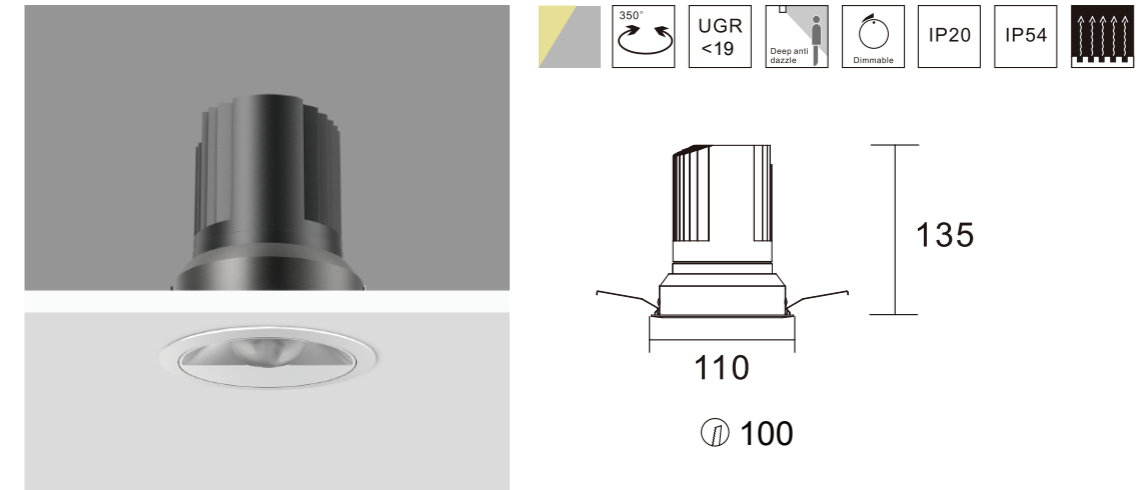
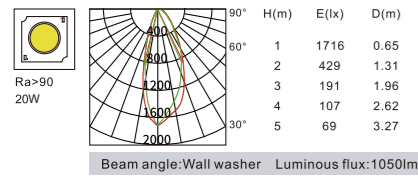


| Model | Power | LED voltage | LED Current | CRI | CCT | Beam Angle | LED Output | System output | Dimming Type |
|-----------------|-------|-------------|-------------|-----|-------|-------------|------------|---------------|-------------------------|
| L-CL36-312W-R2S | 10W | 36V | 250mA | 90 | 2700K | Wall Washer | 927lm | 403lm | ON-OFF TRIAC 1-10V DALI |
| | 10W | 36V | 250mA | 90 | 3000K | Wall Washer | 963lm | 419lm | ON-OFF TRIAC 1-10V DALI |
| | 10W | 36V | 250mA | 90 | 4000K | Wall Washer | 1008lm | 438lm | ON-OFF TRIAC 1-10V DALI |
| L-CL36-312W-R2S | 12W | 36V | 300mA | 90 | 2700K | Wall Washer | 1112lm | 522lm | ON-OFF TRIAC 1-10V DALI |
| | 12W | 36V | 300mA | 90 | 3000K | Wall Washer | 1155lm | 543lm | ON-OFF TRIAC 1-10V DALI |
| | 12W | 36V | 300mA | 90 | 4000K | Wall Washer | 1209lm | 568lm | ON-OFF TRIAC 1-10V DALI |





| Model | Power | LED voltage | LED Current | CRI | CCT | Beam Angle | LED Output | System output | Dimming Type |
|-----------------|-------|-------------|-------------|-----|-------|-------------|------------|---------------|-------------------------|
| L-CL36-420W-R2S | 20W | 36V | 500mA | 90 | 2700K | Wall washer | 1854lm | 1010lm | ON-OFF TRIAC 1-10V DALI |
| | 20W | 36V | 500mA | 90 | 3000K | Wall washer | 1926lm | 1050lm | ON-OFF TRIAC 1-10V DALI |
| | 20W | 36V | 500mA | 90 | 4000K | Wall washer | 2016lm | 1099lm | ON-OFF TRIAC 1-10V DALI |



| Model | Power | LED voltage | LED Current | CRI | CCT | Beam Angle | LED Output | System output | Dimming Type |
|-----------------|-------|-------------|-------------|-----|-------|-------------|------------|---------------|-------------------------|
| L-CL36-425W-R2S | 25W | 36V | 600mA | 90 | 2700K | Wall washer | 2225lm | 1145lm | ON-OFF TRIAC 1-10V DALI |
| | 25W | 36V | 600mA | 90 | 3000K | Wall washer | 2311lm | 1190lm | ON-OFF TRIAC 1-10V DALI |
| | 25W | 36V | 600mA | 90 | 4000K | Wall washer | 2419lm | 1245lm | ON-OFF TRIAC 1-10V DALI |
| L-CL36-430W-R2S | 30W | 36V | 700mA | 90 | 2700K | Wall Washer | 2595lm | 1280lm | ON-OFF TRIAC 1-10V DALI |
| | 30W | 36V | 700mA | 90 | 3000K | Wall Washer | 2696lm | 1330lm | ON-OFF TRIAC 1-10V DALI |
| | 30W | 36V | 700mA | 90 | 4000K | Wall Washer | 2822lm | 1392lm | ON-OFF TRIAC 1-10V DALI |

