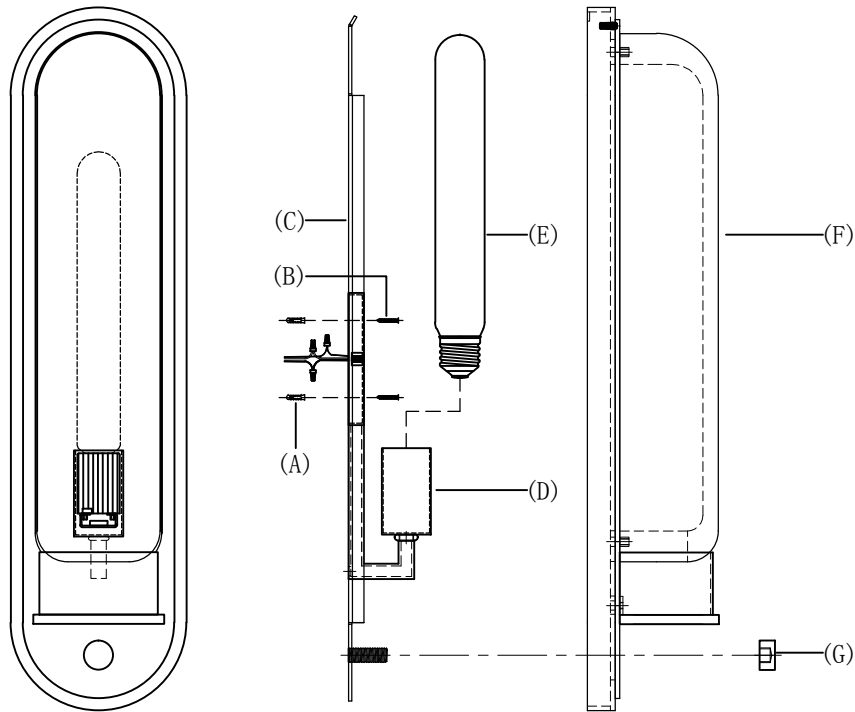


Installation instruction

Product model	93489	Product name	Wall lamp
---------------	-------	--------------	-----------



Installation procedure:

1. Before installing the lamp, make sure to cut off the power supply
2. Install the gecko (A) on the wall, then use two screws (B) The back plate (C) is fixed to the wall;
3. After connecting the wire of the lamp body with the wire reserved for the wall, turn the bulb (T bubble) (E)Tightly on the lamp holder (D) ;
4. Insert the upper end of the lamp body (F) into the backplane (C) and the lower end into the backplane (C) On the tooth bar, and then the vehicle part (G) to lock the lamp body (F) ;
5. Power on the device to complete the installation.