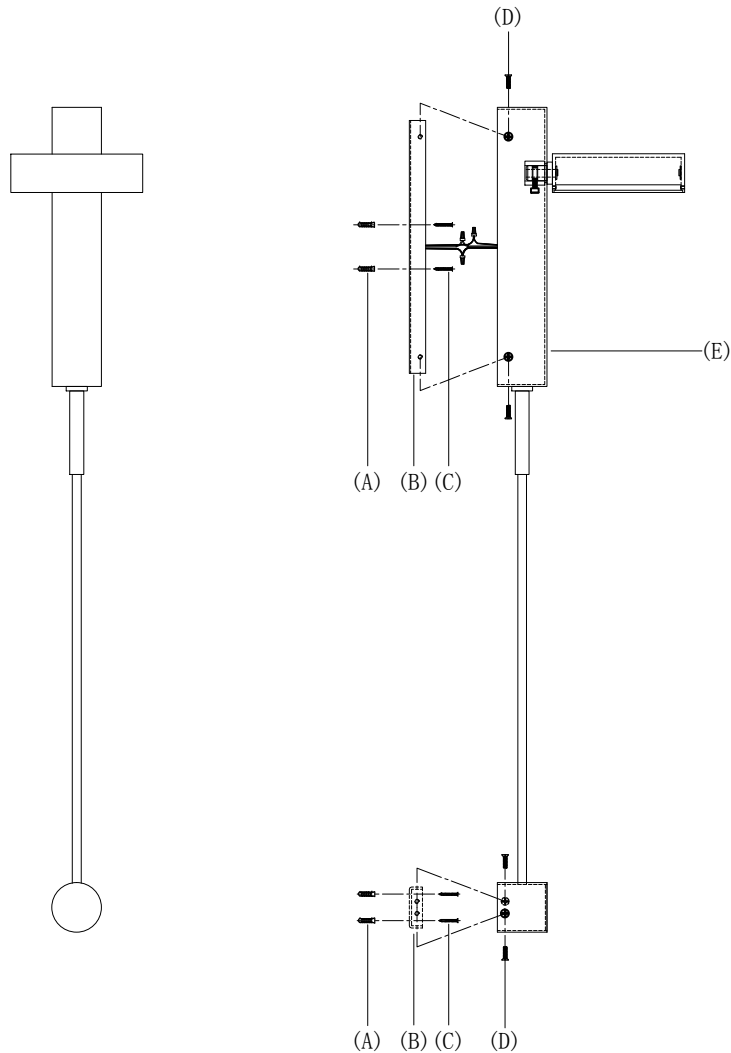


Installation instruction

Product model	83166	Product name	Wall lamp
---------------	-------	--------------	-----------



Installation procedure:

1. Before installing the lamp, please make sure to cut off the power supply;
2. Install the gecko (A) on the wall, then use two screws (C) The back plate (B) is fixed to the wall;
3. After connecting the wire of the lamp body with the wire reserved for the wall, use screws (D) up and down. Fasten the lamp body (E) to the backplane (B) so that the lamp body is fixed to the wall;
4. Power on the device to complete the installation.