

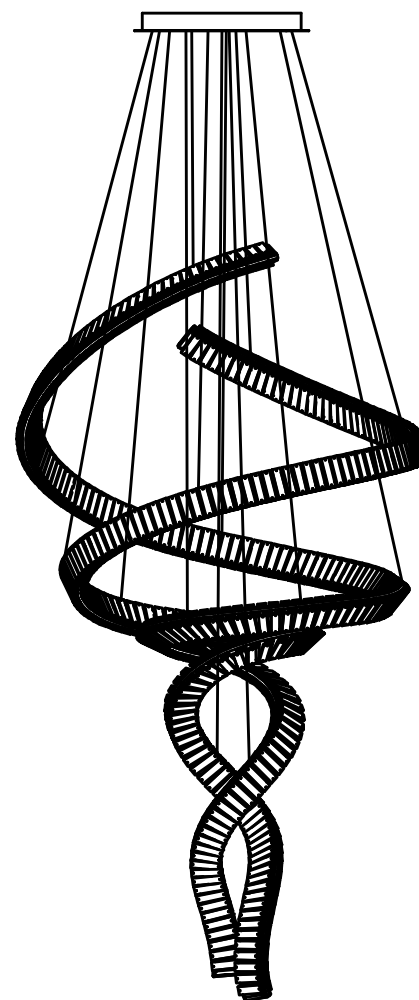
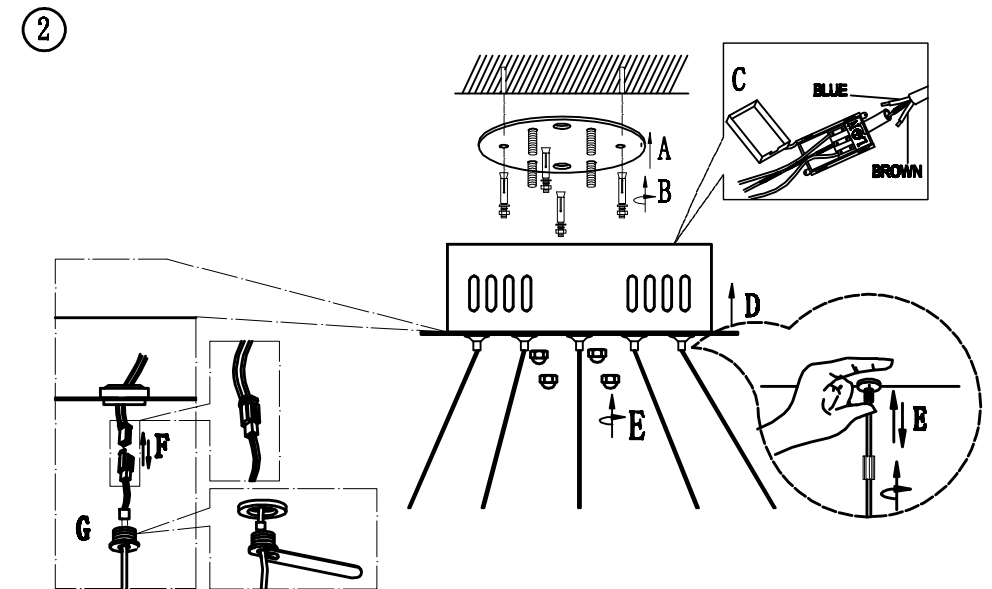
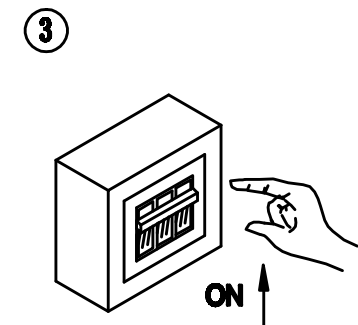
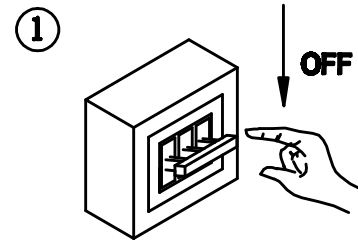
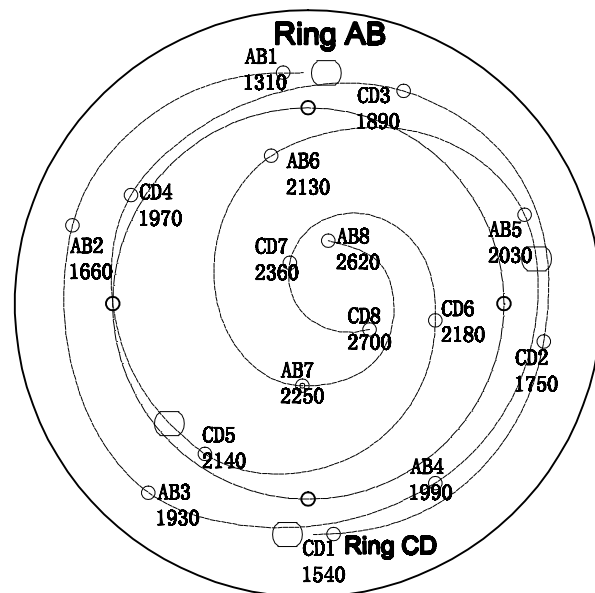
**Model:
MD6064A-2BB-01**

Maintenance and Cleaning Instructions

- Prevent sweat on hands from lingering on the surface of the lamp body and causing re-corrosion of the lamp during lamp cleaning.
- Lamps are usually maintained once or twice a year. Stainless steel lamp body shall be cleaned according to the surface state:
 - 1, dust cleaning: wipe with a soft dry cloth.
 2. Grease cleaning: use soft wet cotton cloth with neutral dishwashing liquid to clean, and then use clean wet cotton cloth
 - Wipe off and use a soft, dry cotton cloth to dry the water.
 3. Fingerprint sweat cleaning: use soft cotton cloth adhesive alcohol solvent to clean, and then wipe with clean wet cotton cloth
 - Clean, and then wipe water stains with a soft dry cotton cloth.
 4. rainbow pattern cleaning: excessive detergent and oil caused by clean cotton cloth dipped in warm water and clean.

ATTENTION :

- *At least 4 people to assist installation, so that the ring uniform force.
- *Refer to the view of the appearance drawing. Follow installation step to meet the style of the appearance drawing.
- *Only torn off the paper from the panel after installation. When installing, install the steel rope first in sequence, finally install the power cable.
- *In the figure, the mark of wire length is 3.2 meter. To maintain the appearance shown, adjust the height for ALL wires lengths required, need synchronous adjustment.



Overview Drawing