

## Triac dimmable driver---Constant Voltage PWM output series 100W

### ■Features

- Output constant voltage
- Range AC input: 200-240V
- Built-in active PFC function
- Efficiency :up to 84%
- Protections:short circuit/over loading/over temperature
- Full protection aluminum housing easy installation  
IP66 design for outdoor installation
- Cooling by free air convection
- Work with leading edge and trailing edge TRIAC dimmers
- Strong compatibility, flicker-free dimming
- Suitable for LED lighting and moving sign applications



### ■ Specification

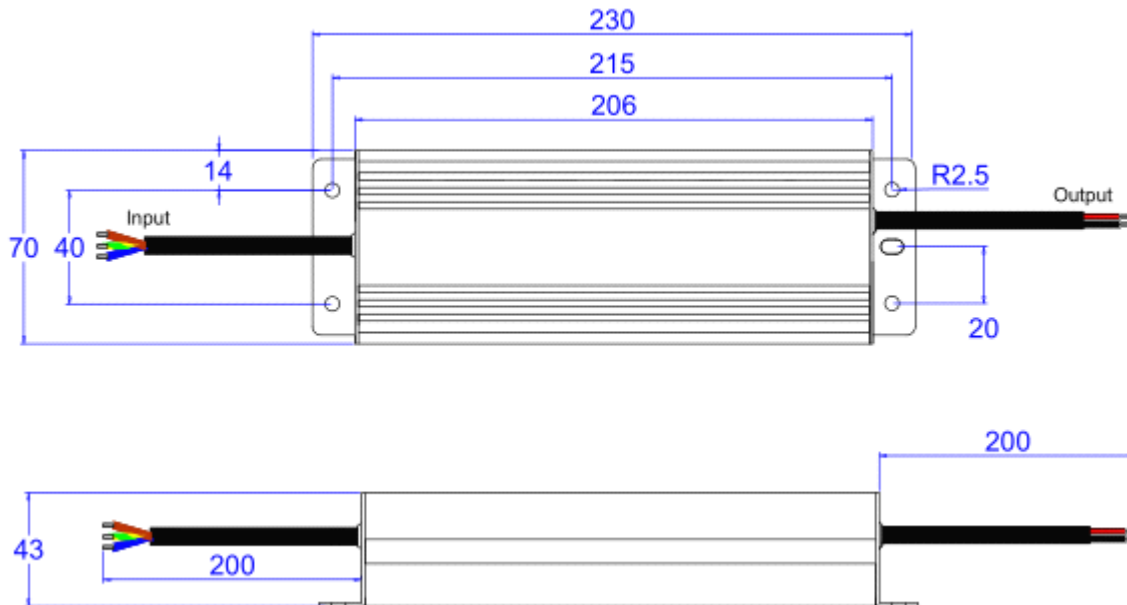


Model		KVF-12100-TDH	KVF-24100-TDH
Output	DC Voltage	12V	24V
	Voltage Tolerance	±0.5V	
	Rated current	8.33A	4.16A
	Rated power	100W	
Input	Voltage Range	200-240V AC	
	Frequency Range	47-63HZ	
	Power Factor	PF ≥ 0.97/200VAC PF ≥ 0.97/230VAC PF ≥ 0.97/240VAC(Full loading)	
	Full Load Efficiency(Typ.)	83%	84%
	AC Current (Max.)	0.8A	0.8A
	Leakage current	<0.50mA	
Protection	Short Circuit	shut down o/p voltage, re-power on to recover after fault condition is removed	
	Over load	≤120% constant current limiting, auto-recovery	
	Over Temperature	100°C±10°C shut down o/p voltage, re-power on to recover	
Environment	Working TEMP.	-40~+60°C (Refer to Derating Curve -- Page 4)	
	Working Humidity	20~95%RH,non-condensing	
	Storage TEM.,Humidity	-40~+80°C,10~95%RH	
	TEMP.coefficient	±0.03%/°C(0~40°C)	
	Vibration	10 - 500Hz, 5G 12min./1 cycle, period for 72min.each along X,Y,Z axes.	
Safety&EMC	Safety standards	EN61347-1 EN61347-2-13	
	Withstand voltage	I/P-O/P:3.75KVAC I/P-FG:1.88KVAC O/P-FG:0.5KVAC	
	Isolation resistance	I/P-O/P I/P-FG O/P-FG:100MΩ/500VDC/25°C/70%RH	
	EMC EMISSION	EN55015,EN61000-3-2,3 (≥60%loading)	
	EMC Immunity	EN61000-4-2,3,4,5,6 ,11,EN61547	
Others	Weight	1.1kg	
	Size	230*70*43mm(L*W*H)	
	packing	245*75*65mm inner box, 340*275*170mm outside carton 10PCS /CTN	
Notes	1. All parameters NOT specially mentioned are measured at 230VAC input , rated load and 25°C of ambient temperature. 2. To extend the driver's using life ,please reduce the loading at lower input voltage.		

# Triac dimmable driver---Constant Voltage PWM output series 100W

3.Loading range from 10% to 100%

## ■Mechanical Specification



● L Brown  
● N Blue

Input  
Y/G  
⊥

**LED Driver (Triac Dimming - Leading edge and trailing edge)**

**Constant Voltage**

Model: KVF-12100-TDH

Input: 200-240V~ 0.8A 50/60Hz

Output: 12V=8.34A 100W

ta:40°C tc:80°C For LED module only

• tc



+ Red ●  
- Black ●  
Output

※Input Rubber cable H05RN-F 3\*1.0mm<sup>2</sup>, the green /yellow cable connect with (FG), Brown with AC (L), Blue with AC(N)

※Output Rubber cable H05RN-F 2\*1.0mm<sup>2</sup>, Red is output(V+) Positive, Black is output (V-) negative. Connected to LED Lamps.

※Please make sure you connect these correctly otherwise your product will not function correctly and could be damaged.

※Note: If you have any other requests, we can customized for you.

## ■Dimming Operation

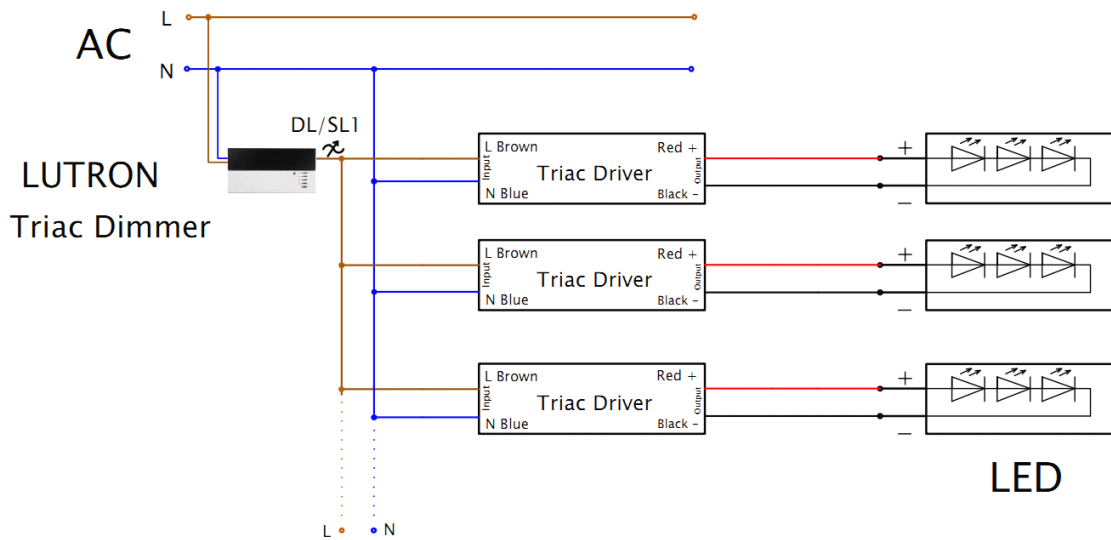
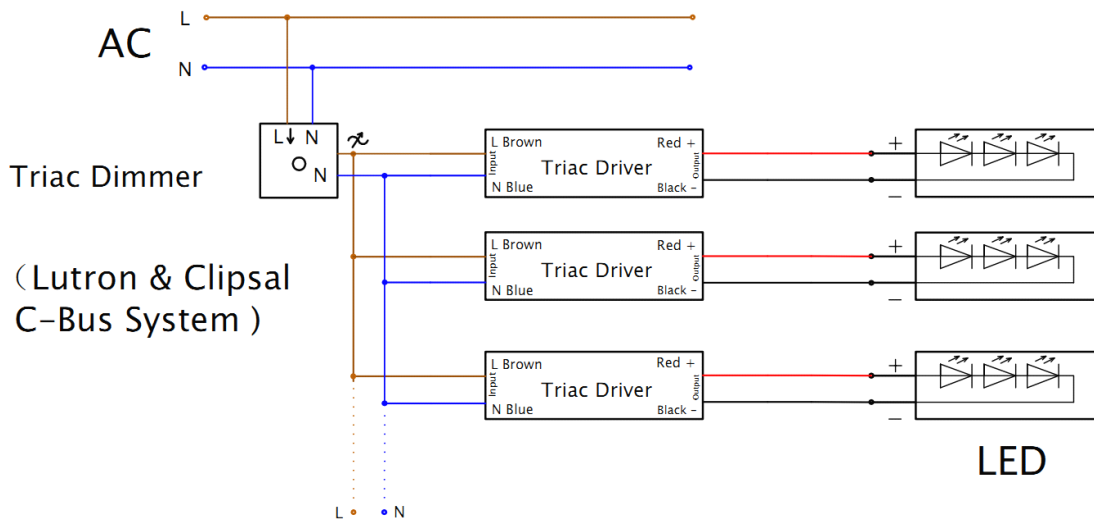
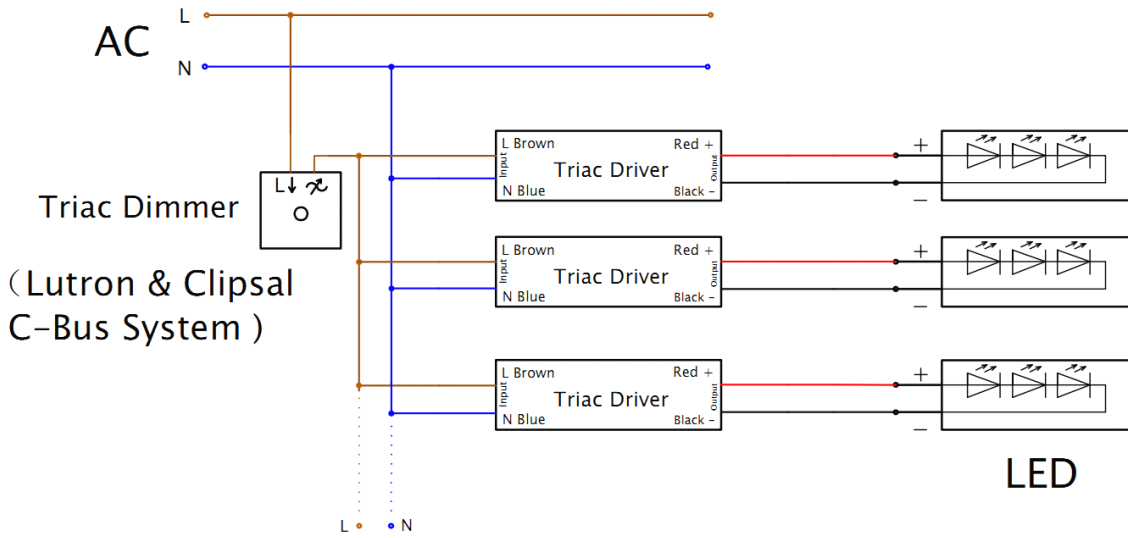
※Output constant current level can be adjusted through input terminal of the AC phase line(L) by connection a triac dimmer.

※Compatible with Leading edge and tailing edge triac dimmers.

※Please use a dimmer with max. power at least 1.5 times than the load.

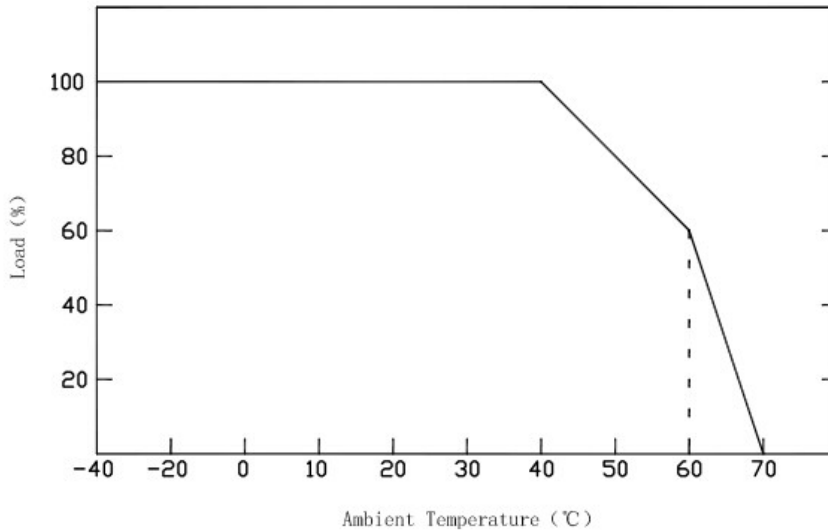
# Triac dimmable driver---Constant Voltage PWM output series 100W

## ■ Connecting Diagram



## Triac dimmable driver---Constant Voltage PWM output series 100W

### ■Derating Curve



※To extend their life, please refer to the Derating Curve and derate according to the temperature.

### ■Instruction

- 1) This driver should be installed by qualified and professional person;
- 2) Please make sure the transformer is installed with adequate ventilation around it allow for heat dissipation.
- 3) Ensure that wiring is correct before test in order to avoid light and power supply damage;