

Phase cut /Triac Dimmable LED driver Linear version - constant voltage 100W (IP66)

■ Features:

Whole Family
KVF-XXXXX-TDHL 12V 24VDC
30W 36W 60W 100W 150W



- Output constant voltage
- Range: 200-240VAC
- Built-in active PFC function Power Factor: up to 0.96
- Efficiency up to 88%
- Dimming range: 0-100%
- Load: 10-100%
- Protection:short circuit/over loading/ Over temperature
- PWM output, does not change the color index
- Full protection plastic case, IP66for indoor and outdoor installation
- Flicker-free
- Compatible with leading edge and trailing edge TRIAC dimmers
- Cooling by free air convection
- Suitable for LED lighting and moving sign applications



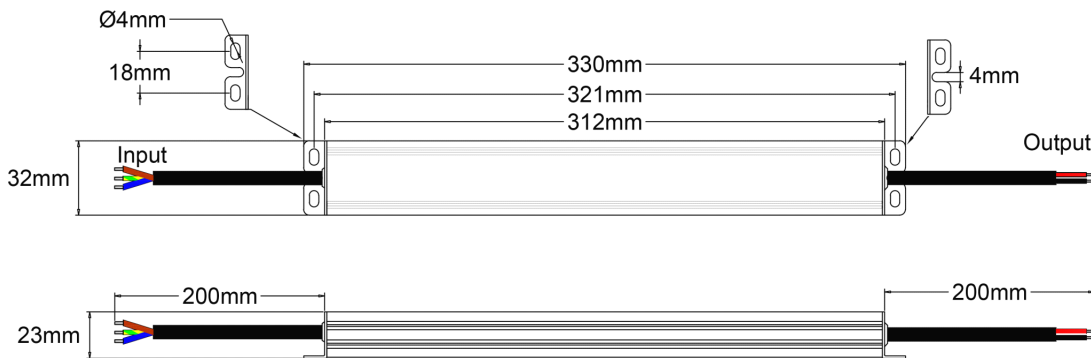
■ Specification

| Model | | KVF-12100-TDHL | KVF-24100-TDHL |
|-------------|-------------------------------|---|----------------|
| Output | DC Voltage | 12V | 24V |
| | Voltage Tolerance | ±0.5V | |
| | Voltage Regulation | ± 0.5% | |
| | Rated current | 8.33A | 4.17A |
| | Rated power | 100W | |
| | Load Regulation | ±2% | |
| Input | Voltage Range | 200-240VAC | |
| | Frequency Range | 47 - 63Hz | |
| | Power Factor(Typ.)@ full load | PF≥0.96/230VAC | |
| | THD(Typ.) @ full load | <10% | |
| | Efficiency(Typ.)@ full load | 86% | 88% |
| | AC Current(Max.) | 0.61A/200VAC | 0.59A/200VAC |
| | Inrush Current (Typ.) | 52A, 50% 210us@230VAC | |
| | Leakage current | <0.5mA | |
| Protection | Short Circuit | shut down o/p voltage, re-power on to recover after fault condition removed | |
| | Over Load | ≤120% constant current limiting, auto-recovery | |
| | Over temperature | 100°C±10°C | |
| | Protection Class | I | |
| Environment | Working TEMP. | -40~+60°C (see below derating curve) | |
| | Working Humidity | 20 - 95%RH,non-condensing | |
| | Storage TEM.,Humidity | -40 - +80°C,10 - 95%RH | |
| | TEMP.coefficient | ±0.03%/°C(0 - 50°C) | |
| | Vibration | 10~500Hz, 5G 10min./1 cycle,period for 60min. each along X,Y,Z axes | |

Phase cut /Triac Dimmable LED driver Linear version - constant voltage 100W (IP66)

| | | |
|-------------------------|---|---|
| Safety & EMC | Safety standards | EN61347-1 EN61347-2-13 EN62493 |
| | Withstand voltage | I/P-O/P:3.75KVAC I/P-FG:1.88KVAC O/P-FG:0.5KVAC |
| | Isolation resistance | I/P-O/P I/P-FG O/P-FG: 100MΩ/500VDC/25°C/70%RH |
| | EMC Emission | EN55015 EN61000-3-2 EN61000-3-3 |
| | EMC Immunity | EN61000-4-2,3,4,5,6,11 EN61547 |
| Others | Net Weight | 0.55Kg |
| | Dimension | 330*32*23mm(L*W*H) |
| | packing | 30pcs /CTN SIZE: 360X270X175mm |
| Notes | <ol style="list-style-type: none"> 1. All parameters NOT specially mentioned are measured at 230VAC input , rated load and 25°C of ambient temperature. 2. Tolerance: includes set up tolerance, line regulation and load regulation . 3. The power supply is considered as a component that will be operated in combination with final Equipment. Since EMC performance will be affected by the complete installation, the final equipment manufactures must be-qualify EMC Directive on the complete installation again. | |

■ Mechanical Specification



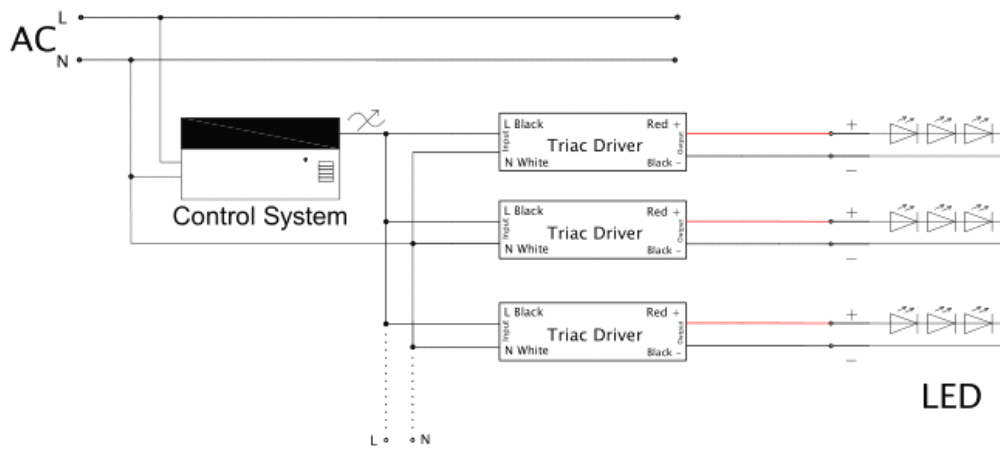
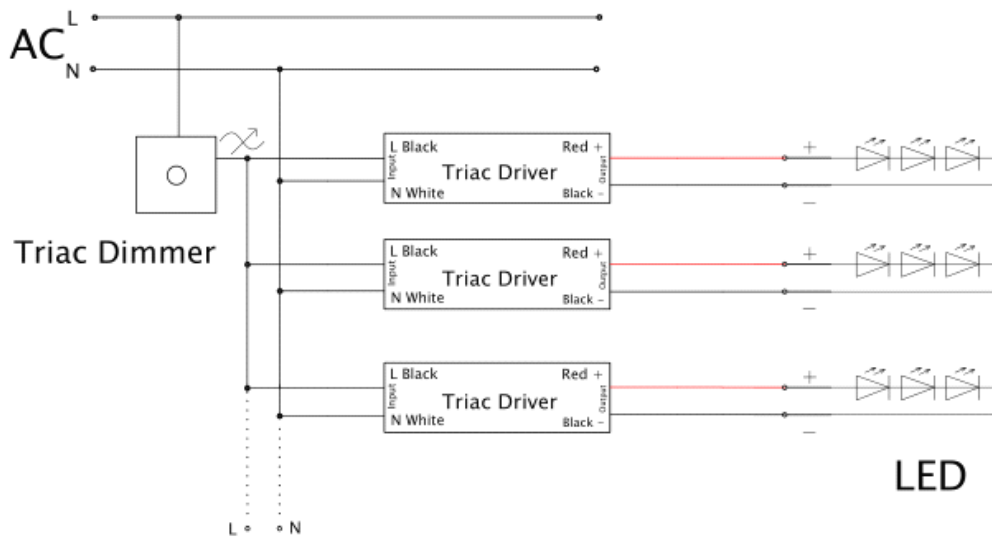
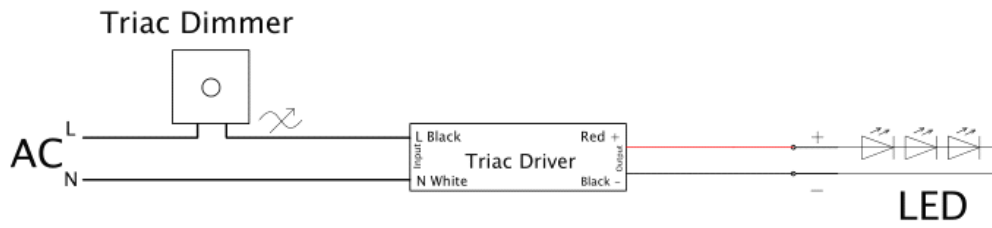
- ※ Input : Cable H05RN-F 3*1.0mm² Brown(L)and Blue(N) to connect to L and N of Mains AC;the green /yellow cable connect with (FG),
- ※Output : Cable H05RN-F 2*1.0mm² "Red" (+) to LED Positive side (+) , "Black"(-) to LED Negative side (-).
- ※Please make sure your connect these correctly otherwise your product will not function correctly and could be damaged.
- ※Note: Any other requests we can customized.

■Dimming Operation

- ※The Pulse-Width Modulation (PWM) of output voltage can be adjusted through input terminal of the AC phase line(L) by connection a phase/triac dimmer.
- ※Usually matching with leading edge and trial edge Triac Dimmers both;
- ※Please try to use dimmers with power at least 1.5 times as the output power of the driver.

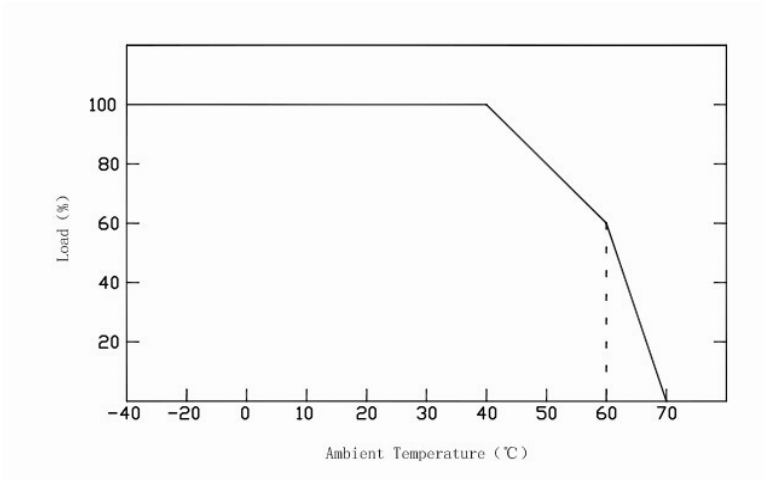
Phase cut /Triac Dimmable LED driver Linear version - constant voltage 100W (IP66)

■ Connecting Diagram



Phase cut /Triac Dimmable LED driver Linear version - constant voltage 100W (IP66)

■ Derating Curve



※To extend their life, please refer to the Derating Curve and derate according to the temperature.

■ Instruction:

- 1) This driver should be installed by qualified and professional person;
- 2) Please make sure the driver is installed with adequate ventilation around it to allow for heat dissipation.
- 3) Ensure that wiring is correct before test in order to avoid light and power supply damage;