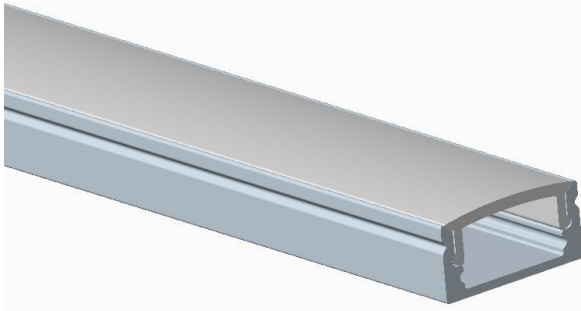
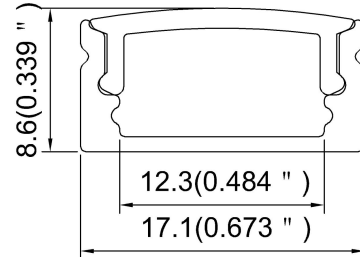


Model : ALP002-R



Dimension



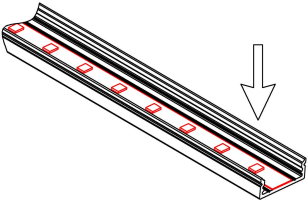
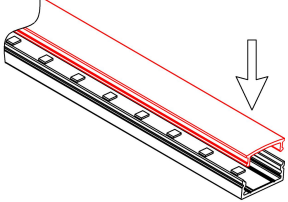
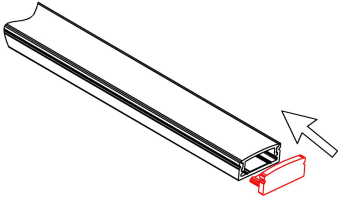
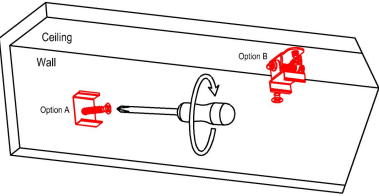
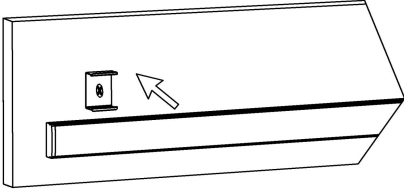

Specification

| | |
|---------------------|--|
| Aluminum Profile | 6063-T5 |
| Diffuser | PC diffused cover / PMMA opal cover/ PMMA semi-clear cover /PMMA clear cover |
| Length | 2000mm / 2500mm / 3000mm |
| Weight | 0.137kg/m |
| Max LED Strip Width | 12mm |
| Max Power | 15W/m |
| Beam angle | 100° |
| Finish | Silver / Black anodized , Powder coated white / black or other colors |
| Installation | Surface / Recessed |

Accessories

| | | | |
|------------------------|---------------------------|---------------------|---------------------------|
| | | | |
| End cap with hole(ABS) | End cap without hole(ABS) | LED Strip | Adjustable bracket(metal) |
| | | | |
| Mounting clip(Metal) | Mounting clip(PC) | 180° Connector (PC) | 90° Connector (PC) |

Steps of Installation

| | | |
|---|--|--|
| <p>1. Stick the LED strip</p>  | <p>2. Press the diffused cover</p>  | <p>3. Click the end caps</p>  |
| <p>4. Install the mounting clip chosen</p>  | <p>5. Click the fixture to the mounting clip</p>  | <p>6. Installation completed</p>  |

