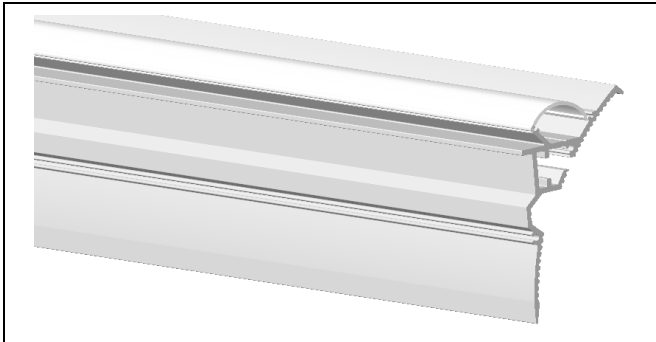
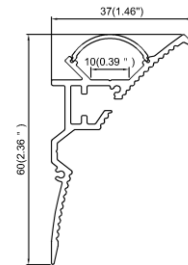


Model : ALP189



**Dimension**



**Specification**

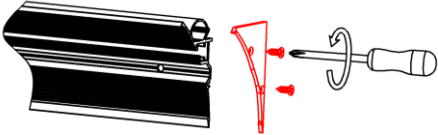
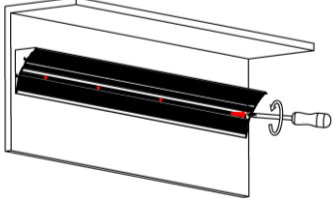
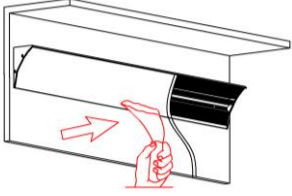
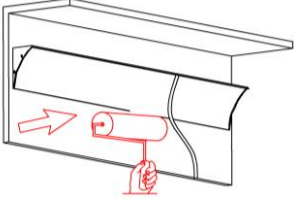
Aluminum Profile	6065-T5
Diffuser	PC diffused cover/PMMA semi-clear cover/PMMA opal cover
Length	2000mm / 2500mm / 3000mm
Weight	0.557kg/m
Max LED Strip Width	10mm
Max Power	15W/m
Beam angle	100°
Finish	Silver / Black anodized , Powder coated white / black or other colors
Installation	Surface

**Accessories**

End Cap (metal)	LED Strip	180° Connector(Metal)	90° Vertical Connector(Metal)

**Steps of Installation**

<p>1. Drill the hole for mounting &amp; wiring</p>	<p>2. Stick the led strips</p>	<p>3. Click the diffused cover</p>
--	--------------------------------	------------------------------------

<p>4. Fix the end caps with screws.</p> 	<p>5. Mounting the profile with screws</p> 	<p>6. Plaster on the fixture &amp; drywall</p> 
<p>7. Painting on the fixture &amp; drywall</p> 	<p>8. Installation completed</p> 