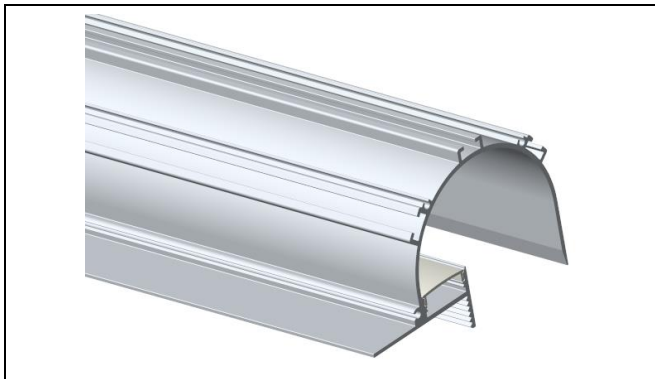
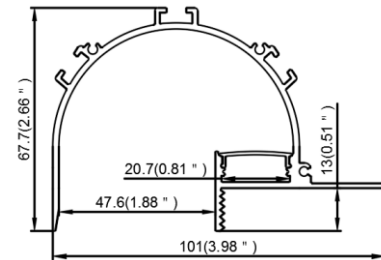


Model : ALP078



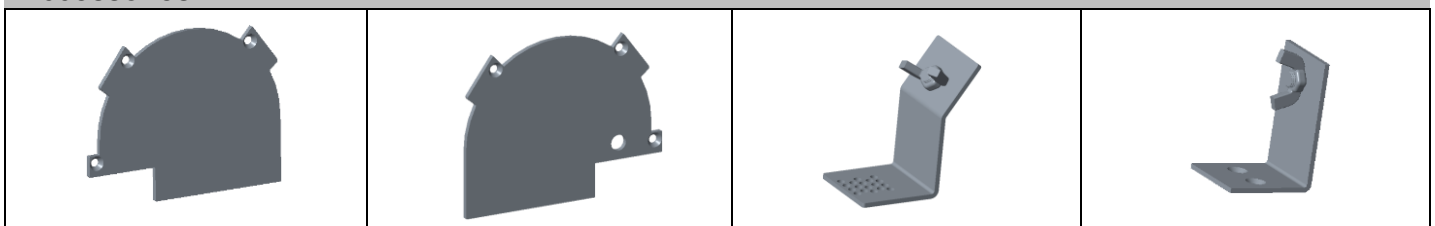
### Dimension



### Specification

Aluminum Profile	6065-T5
Diffuser	PC diffused cover
Length	2000 / 2500 /3000mm
Weight	1.417Kg/m
Max Strip Width	12mm
Max Power	18W/m
Beam angle	
Finish	Silver /Black anodized , Powder coated white /black or other colors
Installation	Recessed

### Accessories

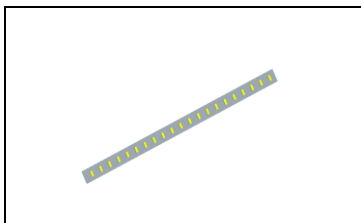


End cap( metal)

End cap with hole(metal)

Clip1

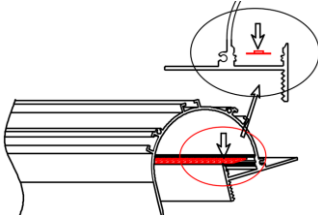
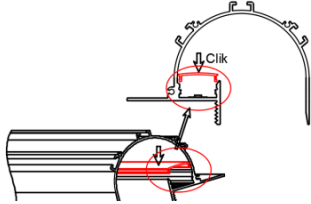
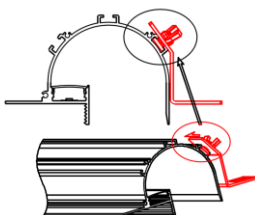
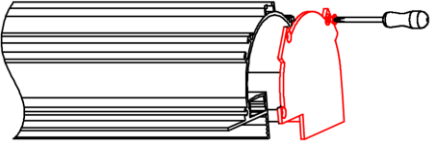
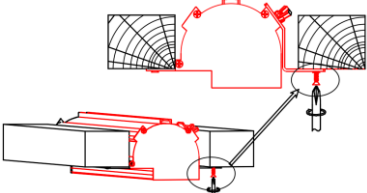
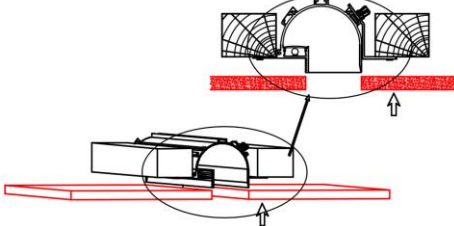
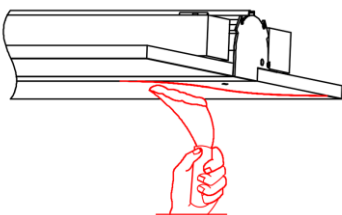
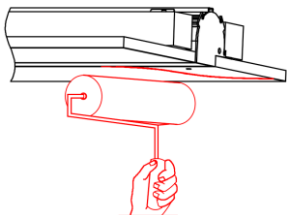
Clip2



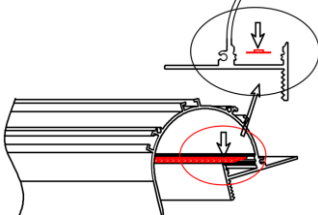
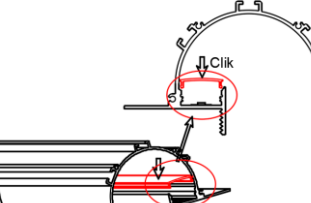
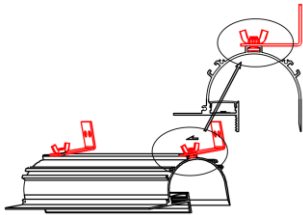
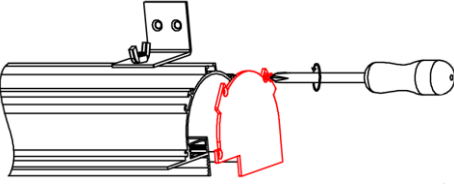
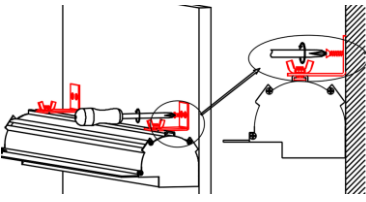
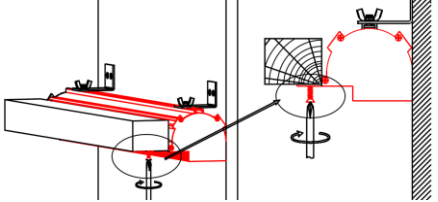
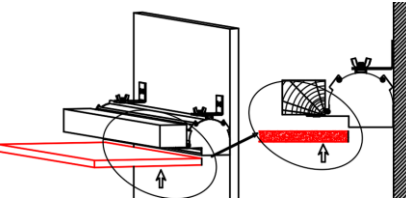
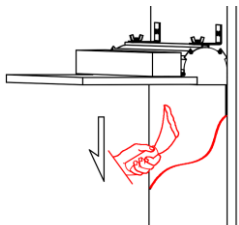
LED strip

### Steps of Installation

**Option1**

<p>1. Stick led strip</p> 	<p>2. Push the cover inside</p> 	<p>3. Fix the frame on profile</p> 
<p>4. Fix the end cap</p> 	<p>5. Fix the whole profile on wooden frame</p> 	<p>6. Install the ceiling plasterboard</p> 
<p>7. Paint the plaster</p> 	<p>8. Paint lacquer(overcoating)</p> 	

### Option2

<p>1. Stick led strip</p> 	<p>2. Push the cover inside</p> 	<p>3. Fix the frame on profile</p> 
<p>4. Fix the end cap</p> 	<p>5. Fix the whole profile on the wall</p> 	<p>6. Fix the whole profile on wooden frame</p> 
<p>7. Install the ceiling plasterboard</p> 	<p>8. Paint the plaster</p> 	<p>9. Paint lacquer(overcoating)</p> 