



PENDANT LIGHTS

 Class II 220-240V ~ 50/60Hz	Dimmable Non Dimmable/TRIAC	Light Source LED Build In/ Globe				
--	---------------------------------------	--	---	---	---	---

 **CAUTION – This product must be installed by a certified installer.**
Before installing the luminaire, please read the instruction manual carefully.

 **Protecting Surges**
For the complete protection of the luminaire against electrical surges, surge protection must be installed on the mains supply where necessary to protect the luminaires and drivers from damage caused by transient voltage.

Go to: lucretiashop.com.au for details on warranty.

Before installing this product, please read these installation directions carefully. This product must be installed and maintained by a suitably certified installer in accordance with the current applicable regulations and related legislation.

Lucretia does not warrant any assumption based on defects or damage caused by, improper installation, misuse, improper function and/or changes made by the customers or by third parties and certified installers. This luminaire must not be used during construction as a 'working light'. This will result in the product warranty being invalid. Please refer to the data sheet for applicable warranty period.

Installation Instructions

Part 1: Preparing for Installation

- Unpack your new fixture
- Turn off the power
- Check your support
- Check the junction box

Part 2: Installing Your Pendant Light

- **Attach the power wires**
Have an assistant hold the light fixture up to the ceiling while you connect the wires from the light fixture to those hanging out of the junction box. Connect wires according to the directions provided with the light. Usually, this means connecting black to black and white to white. Wrap the exposed ends of the wires together.
If there is not enough exposed surface on each wire, you may need to use wire strippers to peel back some of the wire insulation.
Screw on wire nuts/connectors to cover the exposed connections and secure them tightly. These should be provided with the fixture, but if not, can be purchased cheaply at any hardware store.
- **Attach the ground wire**
Find the ground wire on the pendant light. Depending on your wiring, you'll either wrap it around a ground screw located in the junction box or attach it to a protruding ground wire.
The ground wire is usually either a green wire or a bare copper wire; If you have a ground screw, tighten the screw to hold the wire in place.
- **Secure the wires**
Push or fold the wiring up into the junction box, making sure that all wires remain secured together with the wire nuts.
- **Install the mounting bracket and/or mounting screws.**
Your new fixture should have come with a bracket and/or mounting screws needed to firmly attach the pendant light to the junction box.
This will vary depending on the style of light you are installing. Follow the manufacturers instructions.
- **Hang the light**
Attach the canopy of or base of your light to the mounting screws or bracket. This process will also vary depending on the style of pendant light you are installing, so it's a good idea to check your directions before you start.
In some cases, the process is as aligning your mounting screws with some small holes in the fixture, and turning the fixture about a quarter turn.
In other cases, you'll have to screw the fixture into a mounting bracket.
- **Install a bulb(if needed)**
Most of our products will be LED build in, in some cases, please screw a light bulb of the correct voltage and size into the pendant light fixture if needed.
- **Turn the power back on**
Your light should now be functional.
If your light does not function, turn the power back off and check your wiring
- **Complete installation.**
If your fixture has a trim, a cover, or any other remaining parts that still need to be installed, install them now, and make any final adjustments to the light's height.

Go to: Lucretiashop.com.au for more information.

Please read these installation instructions carefully, prior to installing this luminaire. The luminaire is designed and manufactured for installation in compliance with the applicable Australian Standards (AS/NSZ 3000). This luminaire must be mounted and connected in compliance with local and national regulations. The warranty for the luminaire may be invalid if the luminaire is not mounted and connected according to the instructions outlined.

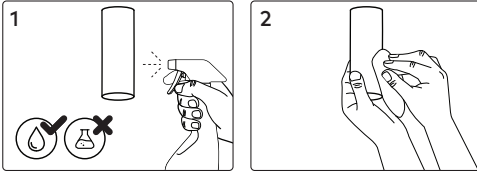
ENQUIRIES

+61 3 9132 5177

sales@lucretia.com.au

Cleaning

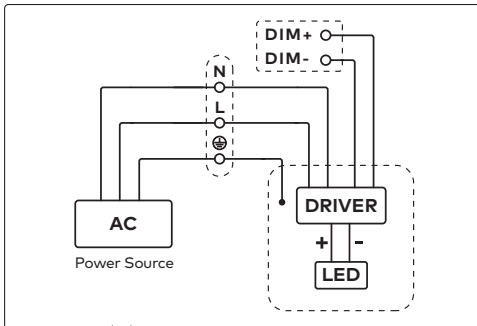
Warning: Before cleaning, disconnect from mains supply and allow luminaire to cool.



Dimming

- Non-dimmable or TRIAC as standard
- Can be dimmed through the use of 1-10V Analogue dimming.
- DALI Dimmable if requested.

Wiring (Standard)



Ambient Conditions

Recommended to install in an ambient temperature <math><35^{\circ}\text{C}</math>. 

Go to: [Lucretiashop.com.au](https://www.lucretiashop.com.au) for more information.

Please read these installation instructions carefully, prior to installing this luminaire. The luminaire is designed and manufactured for installation in compliance with the applicable Australian Standards (AS/NSZ 3000). This luminaire must be mounted and connected in compliance with local and national regulations. The warranty for the luminaire may be invalid if the luminaire is not mounted and connected according to the instructions outlined.

ENQUIRIES

+61 3 9132 5177
sales@lucretia.com.au