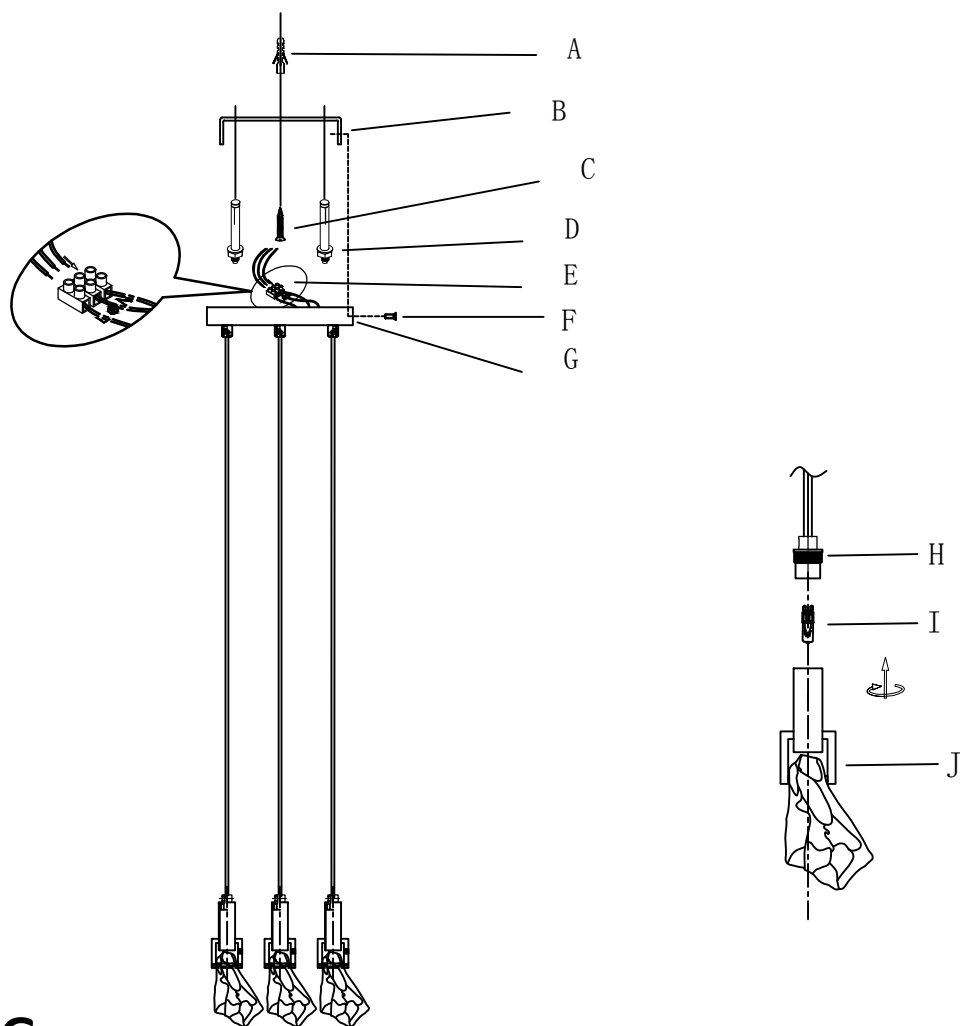


Instruction Manual for C2880-3



WARNING:

1. Risk of shock, do not supply power before assembly is completed.
2. Lamps should be installed on a bearing body capable of carrying more than 4 pairings of the lamp weight.
3. If the screw slips during installation, please replace the new screw or contact the manufacturer.

ASSEMBLY INSTRUCTIONS:

1. Remove the mounting plate (B) from the packaging, fixed the mounting plate to the ceiling with screws (C).
2. Connect wiring using block connector (E) provided inside making sure all screws are tight.
3. Attached the canopy (G) to the mounting plate (B) then secured using the screws (F).
4. Insert the bulb (I) into the socket (H).
5. Screwed the crystal (J) on the socket (H).
6. Finally turn on the power, the installation completed.

Note:

1. Fixture should be installed by a qualified electrician to ensure proper wiring and installation.
2. It is not allowed to change the main body of lamps or fittings and electrical appliances without the company permission (Replacement of qualified bulb is not included in this tip). The Company should not be responsible for any consequences caused by the customer's improper operation.