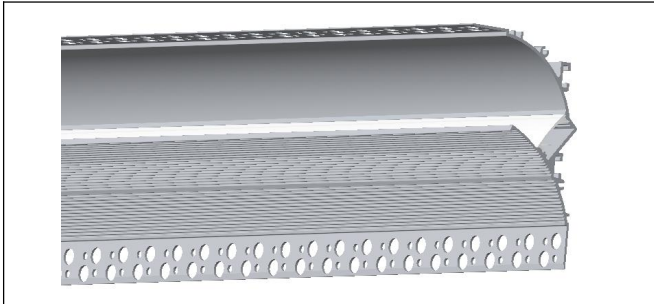
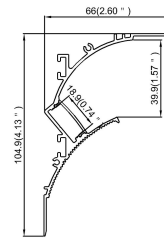


Model : ALP194



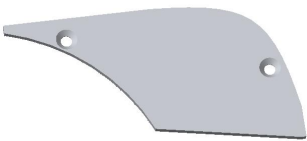
Dimension



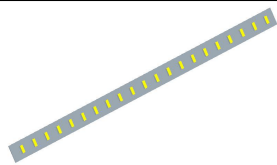
Specification

Aluminum Profile	6063-T5
Diffuser	PC diffused cover / PMMA semi-clear cover/ PMMA clear cover /PMMA opal matte cover
Length	2000mm / 2500mm / 3000mm
Weight	1.082kg/m
Max LED Strip Width	18mm
Max Power	18W/m
Beam angle	100°
Finish	Silver / Black anodized , Powder coated white / black or other colors
Installation	Surface

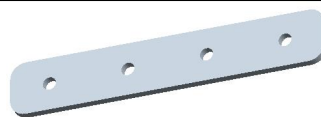
Accessories



End Cap With Hole(Metal)



LED Strip

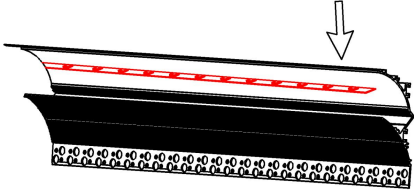
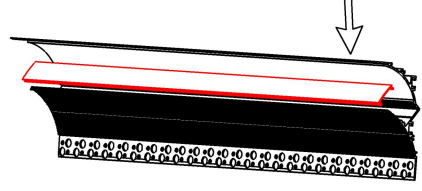
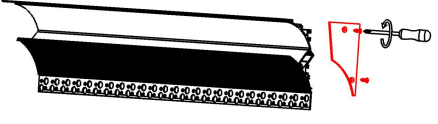
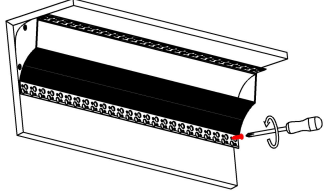
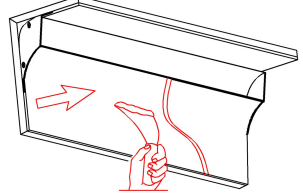
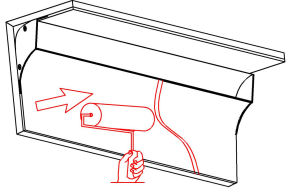


180° Connector(Metal)



90° Vertical Connector(Metal)

Steps of Installation

<p>1. Stick the LED strip</p> 	<p>2. Press the diffused cover</p> 	<p>3. Lock the end caps with screws</p> 
<p>4. Mounting the profile with screws</p> 	<p>5. Plaster on the fixture & drywall</p> 	<p>6. Painting on the fixture & drywall</p> 
<p>7. Installation completed .</p> 