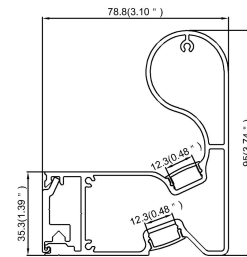


Model : ALP192



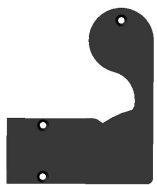
### Dimension



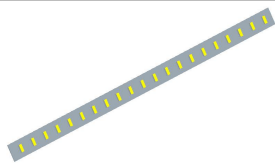
### Specification

Aluminum Profile	6065-T5
Diffuser	PC diffused cover / PC clear cover / PMMA matte cover/ PMMA semi-clear cover
Length	2000mm / 2500mm / 3000mm
Weight	2.633kg/m
Max LED Strip Width	12mm
Max Power	28W/m
Beam angle	100°
Finish	Silver / Black anodized , Powder coated white / black or other colors
Installation	Surface

### Accessories



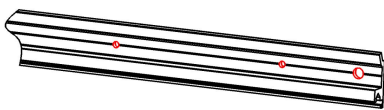
End Cap (metal)



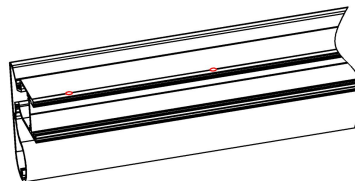
LED Strip

### Steps of Installation

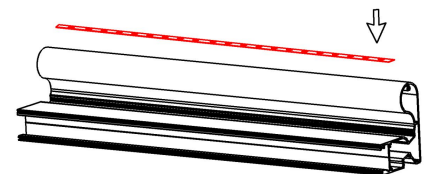
1. Drill the hole for mounting & wiring

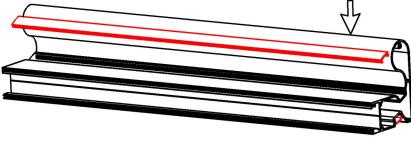
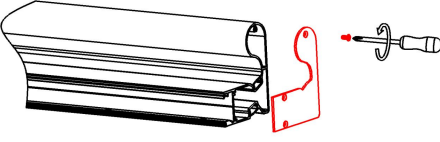
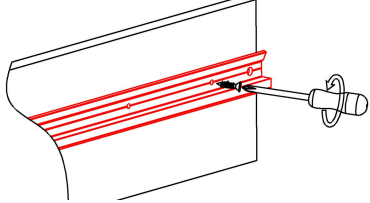
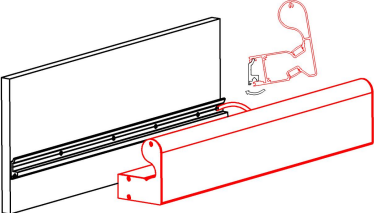
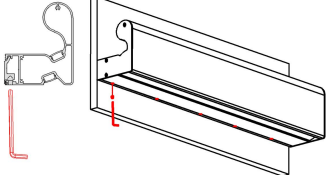


2. Drill the threaded hole for M5



3. Stick the led strips



<p>4. Click the diffused cover</p> 	<p>5. Fix the end caps with screws</p> 	<p>6. Mounting the profile B on the wall</p> 
<p>7. Click the profile A to match the profile B</p> 	<p>8. Lock the screws tightly with tool</p> 	<p>9. Installation completed .</p> 