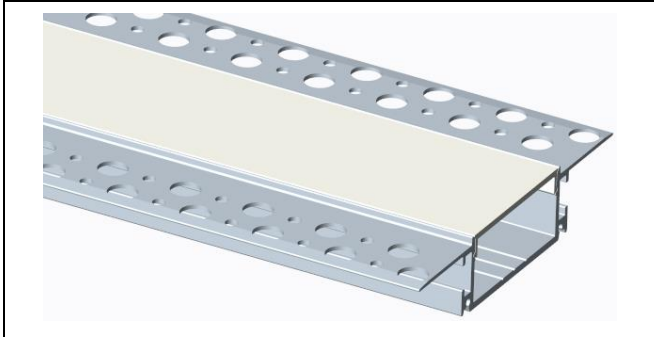
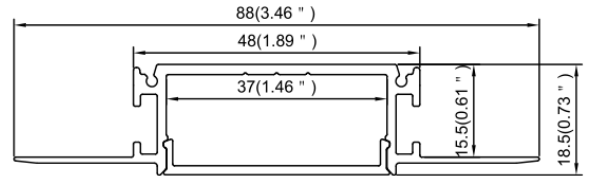


Model : ALP081-R



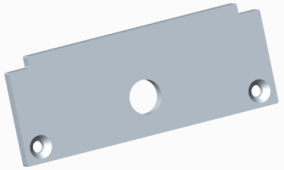
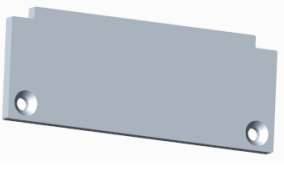
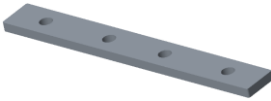


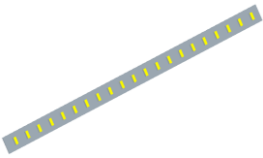
Dimension



Specification

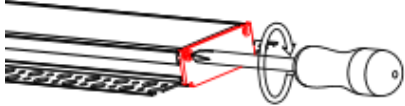
Aluminum Profile	6065-T5
Diffuser	PC diffused cover
Length	2000mm / 2500mm / 3000mm
Weight	0.646kg/m
Max LED Strip Width	36mm
Max Power	18W/m
Beam angle	100°
Finish	Silver / Black anodized , Powder coated white / black or other colors
Installation	Recessed

Accessories

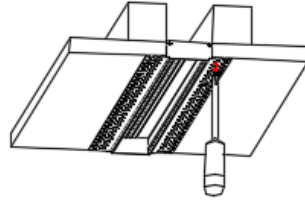
			
End cap with hole	End cap without hole	180° Connector(Metal)	90° Connector(Metal)
			
90° Vertical Connector(Metal)	LED Strip		

Steps of Installation

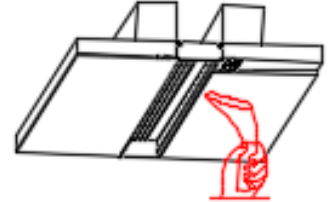
1. Mount the end caps



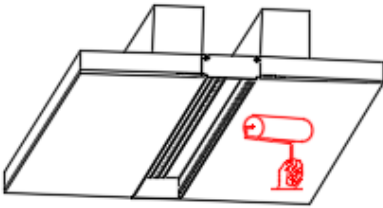
2. Mounting the profile



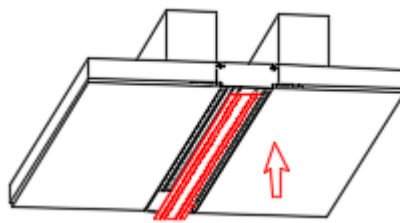
3. Plaster on the fixture & drywall



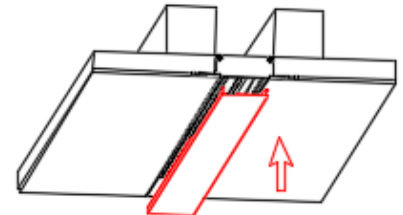
4. Painting on the fixture & drywall



5. Stick the LED strip



6. Press the cover



7. Installation completed

