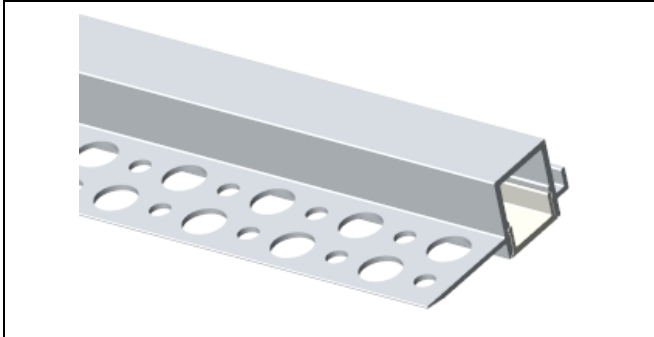
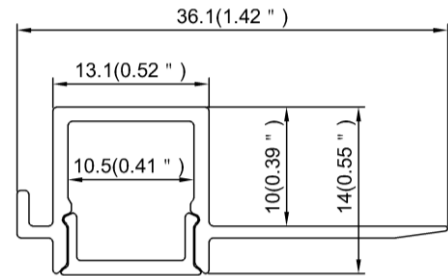


Model : ALP068-S



Dimension



Specification

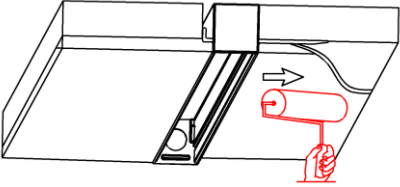
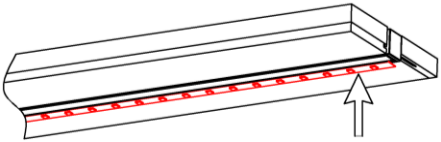
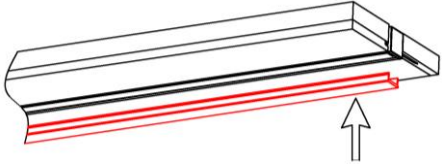

Aluminum Profile	6063-T5
Diffuser	PC diffused cover
Length	2000mm / 2500mm / 3000mm
Weight	0.225kg/m
Max LED Strip Width	10mm
Max Power	12W/m
Beam angle	100°
Finish	Silver / Black anodized , Powder coated white / black or other colors
Installation	Recessed

Accessories

End Cap With Hole(ABS)	End Cap Without Hole(ABS)	LED Strip

Steps of Installation

<p>1. Click the end caps</p>	<p>2. Mounting the profile to the drywall</p>	<p>3. Plaster on the fixture & drywall</p>
------------------------------	---	--

<p>4. Painting on the fixture & drywall</p>  <p>A perspective view of the fixture being installed into a wall. A hand is shown using a paintbrush to apply paint to the fixture and the surrounding drywall. A red arrow points to the area being painted.</p>	<p>5. Stick the LED strip</p>  <p>A perspective view of the fixture with an LED strip being applied to its inner channel. A red arrow points to the strip.</p>	<p>6. Click the diffused cover</p>  <p>A perspective view of the fixture with the diffused cover being clicked onto the LED strip. A red arrow points to the cover.</p>
<p>7. Installation completed</p>  <p>A perspective view of the completed installation, showing the fixture mounted on the wall with the LED strip and diffused cover in place.</p>		