

Main parts needed to mount the extrusion



Aluminum profile (A)



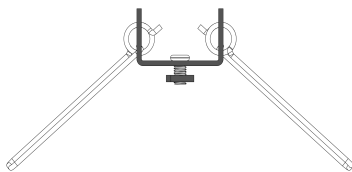
End cap (B)



Cover (C)



LED strip (D)



Spring clip (E)

Tools needed for mounting:

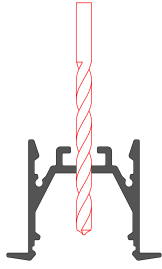
screwdriver

NOTE! All LED strips must be connected to a 24V power supply.

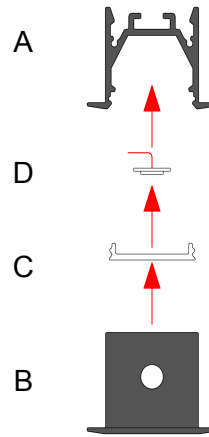
IMPORTANT: The manual presents the simplest mounting procedure.

More mounting procedures and related accessories can be consulted from Lucretia lighting.

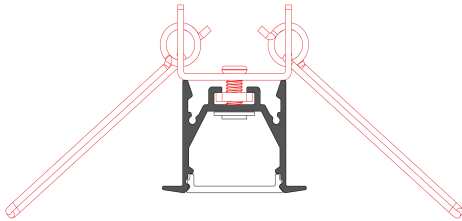
1. Drill a hole on the aluminum profile(A) for the power cable.



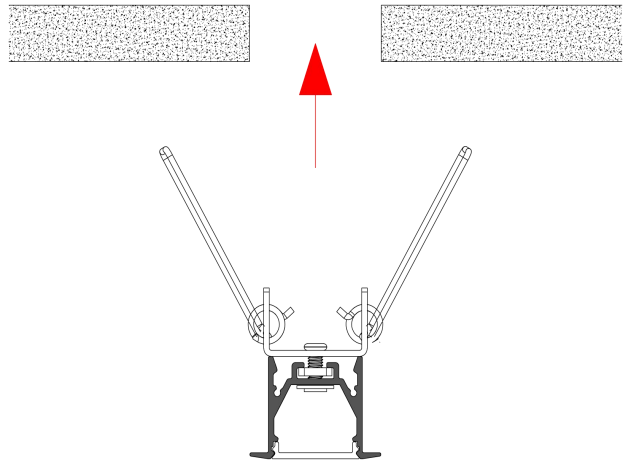
2. Mount the LED strip(D), insert the cover(C),insert the end caps(B).



3. Mount the spring clip(E) on the profile.



4. Mount the profile on the ceiling, then lead out the power cable.



5. Run the cable to the power source, connect power.

