

SURFACE MOUNT

Class II
220-240V ~ 50/60Hz

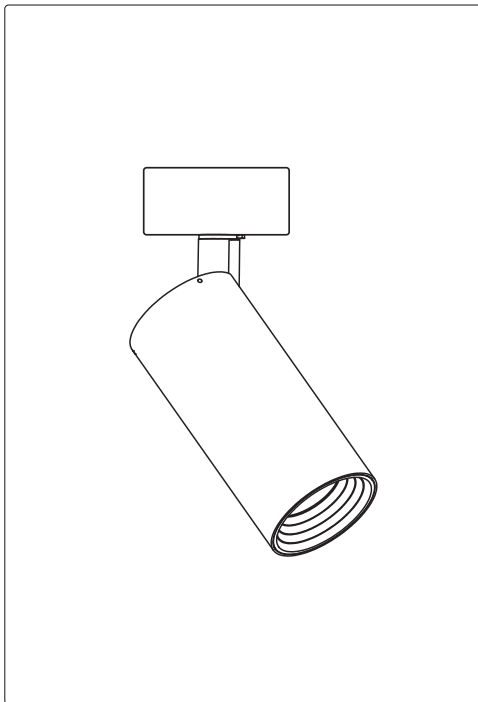
Warranty
3 Year



CAUTION – This product must be installed by a certified installer.

Before installing the luminaire, please read the instruction manual carefully.

- Read the installation instructions for the luminaire outlined below. The protection and warranty of this luminaire will be void unless followed correctly.
- The installation and functional use of this luminaire must comply with the national safety regulations. No responsibility is warranted by Lucretia when damage is caused by improper installation or misuse of the product.
- This Luminaire is void of warranty if any portion has been changed or modified. For more information please visit our website Lucretiashop.com.au
- In order to prevent the electronic control gear from failing due to electrical spikes, over-voltage safety and protection units should be fitted.



Installation Instructions

- 1** Must be installed by a licensed electrician.
- 2** Before installing, make sure the power supply is switched off.
- 3** Follow the steps in the figure shown for installation:
 - A. No cut out required for surface mount
 - B. Connect downlight plug to female power socket (not included)

Warning: Please ensure luminaire is connected to electronic control gear prior to connecting mains power. Not doing so will cause damage to the luminaire/electronic control gear.

- C. Mount canopy to ceiling
- D. Activate power at the source once complete

Cleaning

Disconnect from mains supply prior to cleaning and enable the luminaire to cool.

It is strongly advised to clean the luminaire regularly. A stringent cleaning schedule should be followed in a place where harsher conditions are evident to ensure that chemicals that cause erosion are not left on the surface for long periods of time. Only use a damp, micro-fiber cloth to clean the luminaire. For more resistant grime, a diluted solution of a mild pH-neutral liquid detergent can be used. Please note that the luminaire surface must be then cleaned with a fresh microfibre damp cloth to ensure that no residue of the diluted solution remains on the surface. Please take extra caution when cleaning to avoid damaging the surface of the luminaire. High pressure cleaners should be avoided.

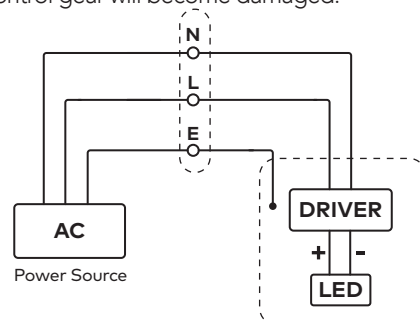
Dimming

This luminaire is dimmable. A phase-cut dimmer optimised for LED technology is recommended by Lucretia.

Wiring

This luminaire must be mounted in combination with electronic remote-control equipment.

Warning: Before connecting to the mains power supply, confirm that the luminaire is connected to the electronic control equipment. By not following this protocol, the luminaire/electronic control gear will become damaged.



Go to: Lucretiashop.com.au for more information.

Please read these installation instructions carefully, prior to installing this luminaire. The luminaire is designed and manufactured for installation in compliance with the applicable Australian Standards (AS/NSZ 3000). This luminaire must be mounted and connected in compliance with local and national regulations. The warranty for the luminaire may be invalid if the luminaire is not mounted and connected according to the instructions outlined.

ENQUIRIES

+61 3 9132 5177
sales@lucretia.com.au